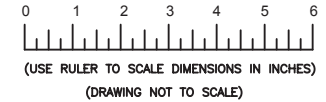
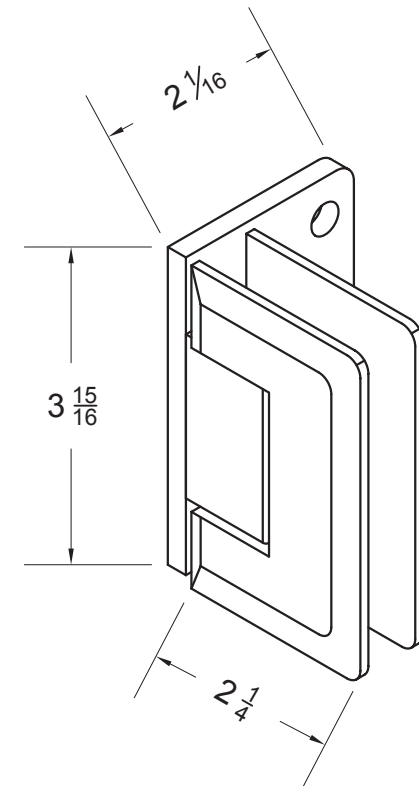
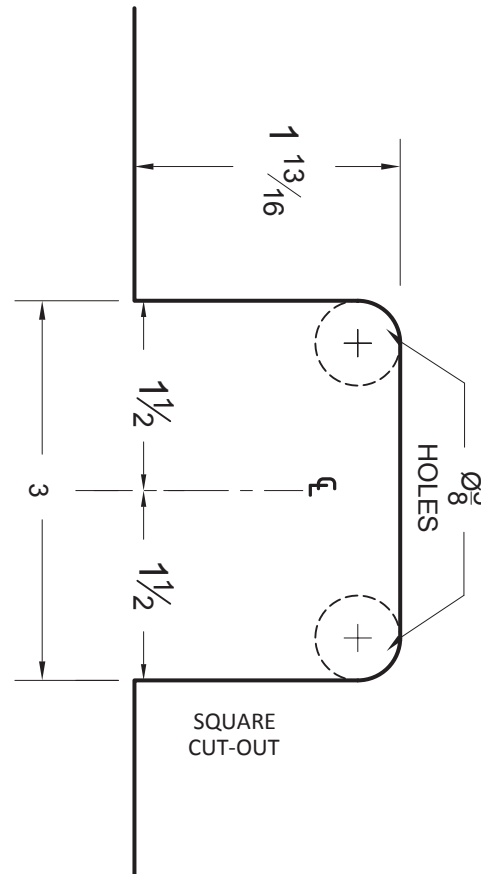
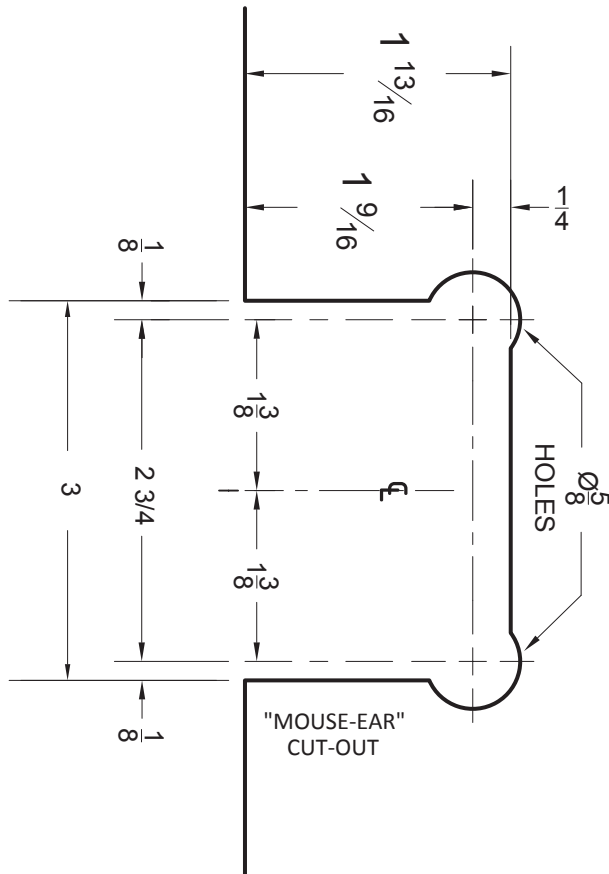


( 1/4" gap from glass to wall )

Maximum Door Capacities	3/8" (10mm) Glass		1/2" (12mm) Glass	
	Weight	Width	Weight	Width
Using 2 Hinges	100 lbs	34"	100 lbs	32"
Using 3 Hinges	130 lbs	34"	130 lbs	32"



Note: Do not exceed the table above when choosing your hinge



**Rubber Gaskets:**

3/8" (10mm) Glass: place one of the thick gaskets on each side of the hinge.

1/2" (12mm) Glass: place one of the thin gaskets on each side of the hinge.

**Recommendations:**

- Do not use power tools when mounting hinges, and always be sure to use tempered glass.
- Never clean hinges with abrasive chemicals. This will remove the clear lacquer that protects the hinges.
- If mineral deposits develop, simply add a few drops of a mild liquid soap to warm water, clean hinges with a soft towel then rinse and dry Thoroughly.

**Specs:**

Glass Size: 3/8" (10mm) - 1/2" (12mm) tempered

Material: Solid Brass

Fabrication: Cutout Required

Parts: Rubber gaskets

Screws & Anchors are included